

# EASY DOES IT!

**KITAMURA**<sup>®</sup>  
Machining Challenges-Simplified<sup>®</sup>

## MYCENTER<sup>®</sup> 3XVT 5-Axis Vertical Machining Center

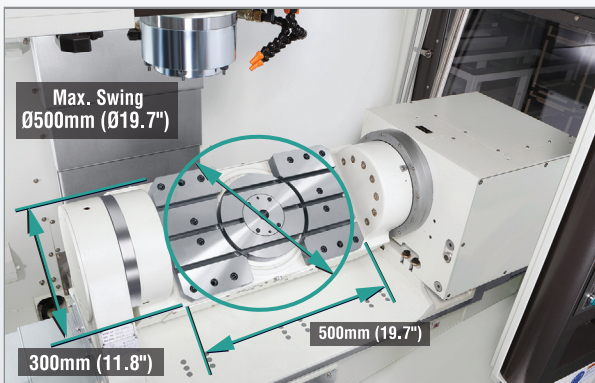
We've made complex parts machining more affordable than ever. This 5-axis trunnion machining center is designed & built using Kitamura's proven trunnion technology. It delivers the accuracy, performance and reliability to meet today's growing demand for complex components processing. The generous work envelope houses a rigid factory installed tilting trunnion table and powerful 41HP spindle that stand up to rigorous cuts in today's tough materials.

### Check out these value-driven performance features:

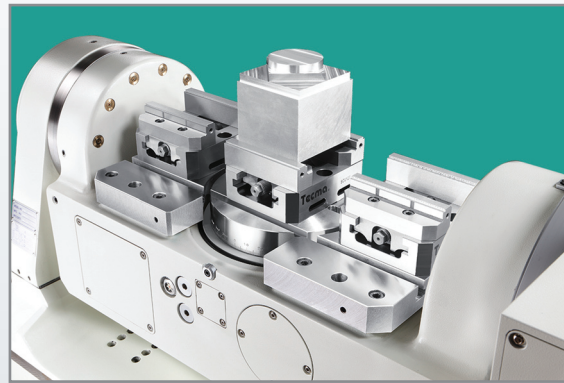
- Built-In 4th/5th Axis Trunnion Table
- Powerful, High Speed, 41HP 15,000 min-1 Dual Contact Spindle
- Class-Leading High Capacity 40 Tool ATC, #40
- Thermally Stable Rigid Meehanite Cast Construction
- Feature-Rich and Powerful *Arumatik Mi Pro* Controller



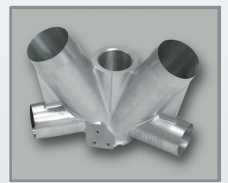
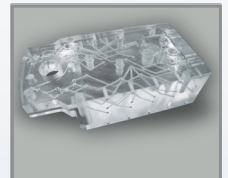
The high-performance ATC holds **40 tools** and provides "operator-friendly" accessibility for easy tool loading.



Machine multiple surfaces in one set-up with the Mycenter-3XVT's 5-axis machining capability. Easy and expansive table access streamline and simplify workpiece loading and unloading for larger diameter parts at the same time offering flexibility in fixture set-up for smaller part processing.



The integrated trunnion table offers the rigidity, accuracy and stability needed to productively machine complex part geometries. For those accustomed to 3-axis machining, the built-in table design of the tilting trunnion allows for high tech, high precision parts to be machined simpler and easier with less handling.



# Arumatik-Mi Pro CNC Controller

The Mycenter-3XVT is equipped with the latest, state-of-the-art Kitamura Arumatik®-Mi Pro CNC Controller. Feature packed with high speed machining functions second to none, the Arumatik®-Mi Pro offers up to 16x faster processing speeds when compared to today's conventional controls.

## MYCENTER 3XVT SPECIFICATIONS

Table	
Rotary Table Size	Ø220mm (Ø8.7")
With Full Table Length	300 x 500mm (11.8" x 19.7")
Maximum Work Size (Dia. x H)	Ø500 x 255mm (Ø19.7" x 10.0")
Max. Table Load	150kg / 0-45° Tilt, 85kg / 0-90° Tilt (330 lbs / 0-45° Tilt, 187 lbs / 0-90° Tilt)
Travels	
X-Axis Travel	780mm (30.7")
Y-Axis Travel	510mm (20.1")
Z-Axis Travel	439mm (17.3")
A-Axis Travel (Tilt)	- 120 ~ +40°
C-Axis Travel (Rotate)	0 to 360°
Spindle	
Spindle Taper	#40 NST
Spindle Speed	15,000min <sup>-1</sup> Built-in
Spindle Motor	31kW (41HP) AC/2 min 25kW (33HP) AC/Cont.
Feed	
Rapid Feed X, Y, Z	48m/min (1,890ipm)
Cutting Feed Rate X, Y, Z	20m/min ( 787ipm)
Rapid Feed (A, C-Axes)	9,000 deg/min (25min <sup>-1</sup> ), 12,000 deg/min (33.3min <sup>-1</sup> )
ATC	
Tool Storage Capacity	40 Tools - BT/CT40
Tool Selection Method	Memory Random
Max.Tool Size (Dia. x L)	Ø75 x 300mm (Ø3.0" x 11.8")
With Adjacent Pots Empty	Ø150 x 300mm (Ø5.9" x 11.8")
Max. Tool Weight	7kg (15.4 lbs.)
Tool Change Time (T-T / C-C)	2.2 sec / 4.2 sec minimum
Machine Dimensions	
Required Space (W x D)	3,039 x 2,293mm (119.6" x 90.3")

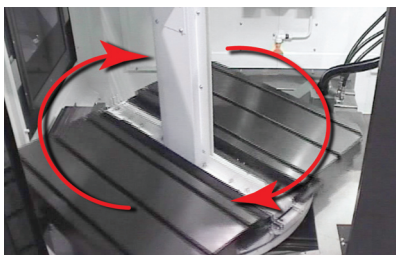
Specifications subject to change without notice.



### Control Standard Features

- Large 15" Touch Screen Color LCD
- 1680 Block Look-Ahead
- 2,800 Block Per Second Processing Speed
- High-Speed, High-Accuracy Control
- Super Smooth Surface (SSS) Control
- Work Coordinate Offsets - 54 Sets
- 5120 Meters Memory
- USB Memory Interface and Ethernet I/F for Faster and Smoother Program Transfer
- Macro Variable, 700 Sets
- Tool Offset, 400Pcs, 6 Digits
- 3-Dimensional Tool Radius Compensation
- Helical Interpolation
- Circular Interpolation
- Optional Block Skip
- Inverse Time Feed
- Alarm Guidance

Check Out Our Entire V-Series Machine Line Up!



Mycenter®-2XVSP 2APC



Mycenter®-3XV Ultra Compact VMC



Mycenter®-4XV

**KITAMURA** Machining Challenges-Simplified®

Kitamura Machinery Co., Ltd. (Head Office and Works)  
Kitamura Machinery of U.S.A., Inc. (U.S.A. Corporate Headquarters)  
Kitamura Machinery GmbH (European Headquarters)

[www.kitamura-machinery.co.jp](http://www.kitamura-machinery.co.jp)  
[www.kitamura-machinery.com](http://www.kitamura-machinery.com)  
[www.kitamura-machinery.eu](http://www.kitamura-machinery.eu)

TEL: +81 766 63 1100  
TEL: +1 847 520 7755  
TEL: +49 211 657 9010